

11 Check Valves

单向阀



CV、CVP和CH系列

工作压力高达6000 psig (413 bar)

可调节和固定的开启压力

多种端接

316不锈钢、304不锈钢和铜

CV, CVP and CH series

Working pressure up to 6000 psig (413 bar)

Adjustable and fixed opening pressure

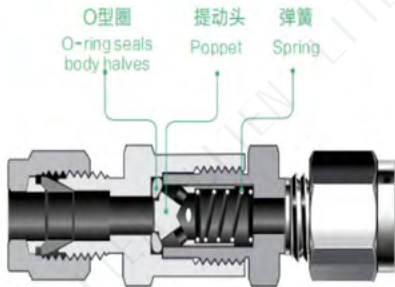
Various terminations

316 stainless steel, 304 stainless steel and brass

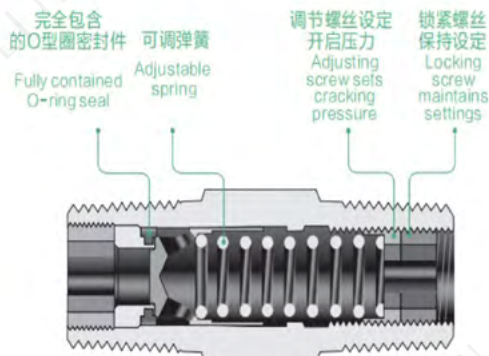
特点Features

固定开启压力 自 1/3 至 25 psi (0.03 至 1.8 bar)
Fixed Cracking Pressures From 1/3 to 25 psi (0.03 to 1.8 bar)

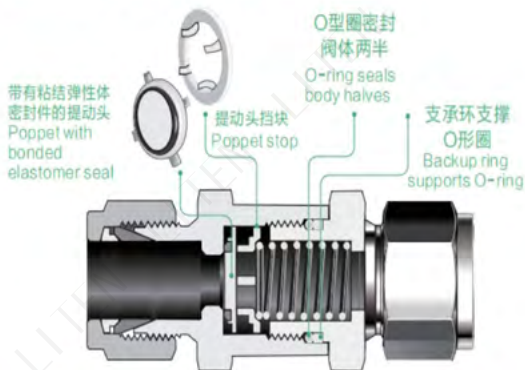
CV 系列C Series



CVP 系列CVP Series



CH 系列CVH Series



Cracking pressure—the inlet pressure at which the first indication of flow occurs (steady stream of bubbles).
Reseal pressure—the pressure at which there is no indication of flow.

Back pressure—the differential pressure between the inlet and outlet pressures.

For valves not actuated for a period of time, initial cracking pressure may be higher than the set cracking pressure.

| 系列 | 最大流量系数 (Cv) |
|------------|-------------|
| CV2 | 0.10 |
| CV4 | 0.47 |
| CV6 | 1.47 |
| CV8 | 1.68 |
| CV12, CV16 | 4.48 |
| CH4 | 0.67 |
| CH8 | 1.8 |
| CH16 | 4.7 |
| CVP4 | 0.35 |
| CVP8 | 1.20 |

| 公称开启压力psi (bar) | |
|-----------------------------------|--|
| 固定开启压力 | 1/3, 1, 10 和 25 (0.03, 0.07, 0.69, 和 1.8) |
| 可调开启压力 | 1/3, 1, 5, 10 和 25 (0.03, 0.07, 0.35, 0.69, 和 1.8) |
| 可调开启压力 | 3 至 50 (0.21 至 3.5) 50 至 150 (3.5 至 10.4) 150 至 350 (10.4 至 24.2) 350 至 600 (24.2 至 41.4) |
| 70° F (20° C) 时的 最大背压psig(bar) | 1000 (68.9) ^② 200 (13.7) 6000 (413) ^③ 5000 (344) ^③ 3000 (206) |

欲了解带卡套管接头端接的阀门压力额定值的更多信息，参见LITEN卡套管数据。

For more information about pressure ratings of valves with tube fitting end connections, see LITEN Tubing Data.

可提供其他开启压力数据；请联络您当地授权的LITEN销售服务代表。对于 25 psi (1.8 bar) 的开启压力，最大背压为 3000 psig (206 bar) 最大背压可能受端接限制。

Other cracking pressures are available; contact your authorized LITEN sales and service representative. For cracking pressure of 25 psi (1.8 bar), maximum back pressure is 3000 psig (206 bar). Maximum back pressure may be limited by the end connection.

技术数据Technical Data

⚠ 开启压力—最初指示流量发生（稳定的气泡流）的上游压力。再封闭压力—无流量指示时的压力。背压—进口和出口压力之间的压差。当阀门有一段时间未被开启，其初始开启压力可能要高于设定的开启压力。

技术数据 Technical Data

压力-温度额定值

Pressure-Temperature Ratings

CV系列 CV Series

(CV2, CV4, CV6和 CV8)和CVP 系列在 316 不锈钢阀中, 额定值基于碳氟化合物 FKM O 形圈, 在黄铜阀中, 额定值基于丁腈橡胶 O 形圈。

(CV2, CV4, CV6 and CV8) and CVP series ratings based on fluorocarbon FKM O-rings in 316 stainless steel valves and Buna N O-rings in brass valves.

| 材料 | 316 SS | 黄铜 |
|------------------|------------------|------------------|
| 温度, °C (°F) | 工作压力, psig (bar) | 工作压力, psig (bar) |
| -23(-10)至37(100) | 3000 (206) | 3000 (206) |
| 93(200) | 2575 (177) | 2600 (179) |
| 121(250) | 2450 (168) | 2405 (165) |
| 148(300) | 2325 (160) | - |
| 190(375) | 2185 (150) | - |

为了降低压力波动, 震动或脉动导致系统内O形圈移动的可能性, 所有 CV2 和CV4系列阀以及开启压力低于 50 psi(3.5 bar) 的所有CV6和CV8系列阀都提供可选的入口垫圈。开启和再封闭压力可能会比本产品目录所列的值略低。

To reduce the possibility of dislodging the O-ring in systems where pressure surges, shock, or pulses occur, for all CV2 and CV4 series valves and for CV6 and CV8 series valves with cracking pressures lower than 50 psi (3.5 bar), an optional inlet gasket is available. Cracking and reseal pressures may decrease slightly from the ranges listed in this catalog.

CH系列 CH Series

额定值基于碳氟化合物 FKM 密封件。

Ratings based on fluorocarbon FKM seals.

| 材料 | 316 SS | 316 SS |
|------------------|------------------|------------------|
| 系列 | CVH4, CVH8 | CVH16 |
| 温度, °C (°F) | 工作压力, psig (bar) | 工作压力, psig (bar) |
| -23(-10)至37(100) | 6000 (413) | 5000 (344) |
| 93(200) | 5160 (355) | 4290 (295) |
| 121(250) | 4910 (338) | 4080 (281) |
| 148(300) | 4660 (321) | 3875 (266) |
| 204(400) | 4280 (294) | 3560 (245) |

关于带有卡套管接头端接的阀的压力额定值详细资料, 见 LITEN卡套管数据, 压力额定值可能受端接的限制。

For more information about pressure ratings of valves with tube fitting end connections. Pressure ratings may be limited by the end connection.

CV系列 CV Series

20°C (70°F) 时的开启压力和再封闭压力

开启压力—最初指示流量发生 (稳定的气泡流) 的进口压力。再封闭压力—无流量指示时的压力。背压—进口和出口压力之间的压差。

Cracking and Reseal Pressures at 70° F (20° C)

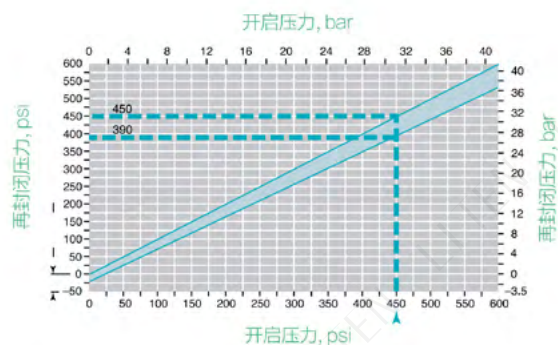
Cracking pressure—the inlet pressure at which the first indication of flow occurs (steady stream of bubbles).

Reseal pressure—the pressure at which there is no indication of flow.

Back pressure—the differential pressure between the inlet and outlet pressures.

| 公称开启压力 psi (bar) | 开启压力范围 psi (bar) | 再封闭压力 psi (bar) |
|---------------------|---------------------|--------------------|
| 1/3 (0.03) | 3 (0.21) 以下 | 6 (0.42) 以下下游压力 |
| 1 (0.07) | 4 (0.28) 以下 | 6 (0.42) 以下下游压力 |
| 10 (0.69) | 7 至 15 (0.49 至 1.1) | 3 (0.21) 或以上上游压力 |
| 25 (1.8) | 20 至 30 (1.4 至 2.1) | 17 (1.2) 或以上上游压力 |

CVP系列 CVP Series



CH Series

| 公称开启压力 psi (bar) | 开启压力范围 psi (bar) | 再封闭压力 psi (bar) |
|---------------------|---------------------|--------------------|
| 1/3 (0.03) | 3 (0.21) 以下 | 6 (0.42) 以下下游压力 |
| 1 (0.07) | 4 (0.28) 以下 | 5 (0.35) 以下下游压力 |
| 5 (0.35) | 3 至 9 (0.21 至 0.63) | 2 (0.14) 以下下游压力 |
| 10 (0.69) | 7 至 15 (0.49 至 1.1) | 3 (0.21) 或以上上游压力 |
| 25 (1.8) | 20 至 30 (1.4 至 2.1) | 17 (1.2) 或以上上游压力 |

CV系列 (CV12和CV16) CV Series (CV12 and CV16)

在 316 不锈钢阀中, 额定值基于碳氟化合物 FKM O 形圈, 在黄铜阀中, 额定值基于丁腈橡胶 O 形圈。

Ratings based on fluorocarbon FKM O-rings in 316 stainless steel valves and Buna N O-rings in brass valves.

| 材料 | 316 SS | 黄铜 |
|------------------|-------------|-------------|
| -23(-10)至37(100) | 2000 (137) | 1500 (103) |
| 93(200) | 1715 (118) | 1300 (89.5) |
| 121(250) | 1630 (112) | 1200 (82.6) |
| 148(300) | 1545 (106) | — |
| 190(375) | 1450 (99.9) | — |

⚠️ 阀门有一段时间未被开启, 其初始开启压力可能要高于设定的开启压力。
For valves not actuated for a period of time, initial cracking pressure may be higher than the set cracking pressure.

➤ 结构材料 Materials of Construction

CV 系列 CV Series

| 元件 | Valve body material | |
|--|----------------------------|---------------------------|
| | 316 SS | Brass |
| Material Grade/ASTM Specification | | |
| 1 Inlet valve body | 316SS/A479 | Brass 360/B16 |
| 2 Inlet gasket | PTFE coating 316SS/A240 | PTFE coated aluminum/B209 |
| 3 O-ring | Fluorocarbon FKM | Nitrile rubber |
| 4 Actuator | 316SS/A479 | Brass 360/B16 |
| 5 Spring | 302SS/A313 | |
| 6 Outlet valve body | 316SS/A479 | Brass 360/B16 |
| Lubricants for parts in contact with fluids | Silicone based | |
| Lubricants for parts that are not in contact with fluids | Molybdenum disulfide based | |



➤ 订购信息 Ordering Information

| 6 | CV2 | 04 | N | 04FN | 1 |
|---|--|--|--|------------------------------------|---|
| Material | Series | Port Size I | Port type I | Port size/Type II | Opening Pressure |
| 6 - 316 SS A2 - Alloy 400 B - Brass | Fixed opening pressure: CV2 - 3000 PSI CH2 - 6000 PSI Adjustable opening pressure: CVP2 - 3000 PSI | 02 - 1/8" 04 - 1/4" 06 - 3/8" 08 - 1/2" 010 - 5/8" 012 - 3/4" 016 - 1" 6 - 6 mm 8 - 8 mm 10 - 10 mm 12 - 12 mm 22 - 22 mm 25 - 25 mm | S - Tube OD N - NPT Male FN - NPT Female R - ISO/BSP Male FR - ISO/BSP female SR - SR | 0 - 所有端口的类型 和尺寸都相同标示 方法同端口 I | 1/3 - 1/3 psi 1 - 1 psi 5 - 5 psi 10 - 10 psi 25 - 25 psi (only for fixed cracking pressure) 3 - 3至50 psi 50 - 50至150 psi 150 - 150至350 psi 350 - 350至600 psi (only available with adjustable cracking pressure) |

➤ 结构材料 Materials of Construction

CH 系列 CH Series

| 元件 | 材料等级/ ASTM 规范 |
|----------------------|------------------------------------|
| 1. Inlet valve body | 316 SS/A479 |
| 2. Actuator | 碳氟 FKM 粘剂 ^① 316 SS/A479 |
| 3. Poppet head stop | 316 SS/A240 |
| 4. Spring | 302 SS/A313 |
| 5. O-ring | 碳氟 FKM |
| 6. Support ring | PTFE/D1710 |
| 7. Outlet valve body | 316 SS/A479 |
| 8. Lubricant | PTFE 基 |

用斜体字表示润湿部件。
Wetted parts are in italics.

① 粘剂的材料安全数据表可按要求提供。
Material Safety Data Sheets for adhesives are available upon request.

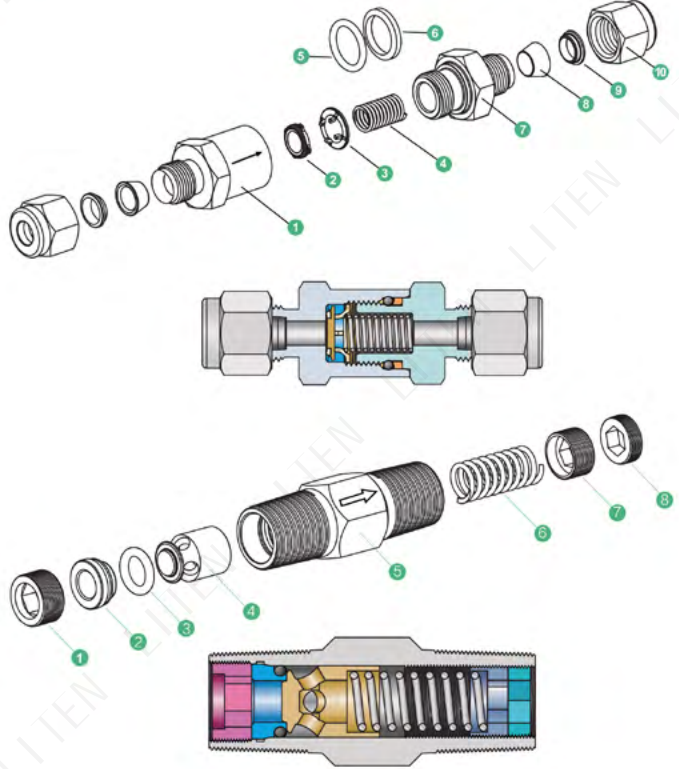
| 元 件 | 316 SS |
|-----------------------------------|--|
| 1 Insert locking screw | 316SS/A276或A479 |
| 2 插入 Insert | 316SS/A479 |
| 3 O形圈 O-ring | |
| 4 提动头 Actuator | 碳氟 FKM |
| 5 弹簧 Spring | |
| 6 阀体 Valve body | 316SS/A479 |
| 7 调整螺丝 (CVP series) | 316SS/A479 |
| 8 锁紧螺丝 (CVP series) | 316SS/A276 |
| Lubricant | Silicone-based and PTFE-based (CVP series) |
| Valve body | |
| 4CVP | Brass |
| 8CVP | Brass |
| Material Grade/ASTM Specification | |
| Brass CW710R/En12163 | Brass 360/B16 |
| 302SS/A313 | Nitrile rubber Brass 360/B16 |
| Brass 360/B16 | |
| 316SS/A276 | 黄铜 360/B16 |
| Silicone and PTFE based | PTFE based |

与介质接触元件用斜体表示。

316SS的弹簧和黄铜8CVP系列是PTFE涂层。
带有 150 或 350 psi (10.4 或 24.2 bar) 弹簧的阀中调节螺丝为 316 不锈钢。

The springs of 316SS and the brass 8CVP series are coated with PTFE

The adjustment screw in the valve with 150 or 350 psi (10.4 or 24.2 bar) springs is made of 316 stainless steel



测试 Testing

每一 CV, CVH, CVP 系列单向阀在生产厂中都用检漏液检查其开启和再封闭性能。具有固定开启压力的 CV 和 CVH 系列的单向阀在测试之前, 要循环六次。每个阀门都要进行测试, 以确保其能在适当的再封闭压力下于 5 秒钟内密封。具有固定可调开启压力的 CVP 系列的单向阀在两个压力点进行测试。所有阀门都在低压设置和高压设置下进行测试。在适当的再封闭压力下, 所有阀门都必须于 5 秒钟内密封。

Every CV, CVH, and CVP series check valve is inspected for its opening and re-closing performance with leak detection fluid in the production factory. CV and CVH series check valves with fixed cracking pressure are cycled six times before testing. Each valve is tested to ensure it seals within 5 seconds at the appropriate re-closing pressure. Check valves of the CVP series with fixed adjustable cracking pressure are tested at two pressure points. All valves are tested in both low and high pressure settings. All valves must seal within 5 seconds at appropriate resealing pressure.

清洁和包装 Cleaning and Packaging

具有 SR 或 SO 端接的每个 CV 和 CVH 系列的单向阀都会按 LITEN 特殊清洁和包装规范进行处理, 以与 ASTM G93 级别 C 中规定的产品洁净度要求相一致

Each CV and CVH series check valve with SR or SO end connections is processed to LITEN special cleaning and packaging specifications to be consistent with product cleanliness requirements specified in ASTM G93 Level C

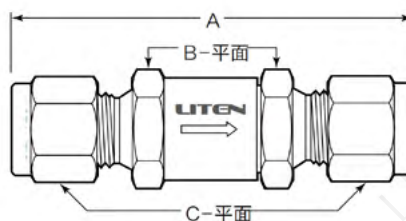


CV系列

CV Series

⚠ 当阀门有一段时间未被开启，其初始压力可能高于设定的开启压力。

When a valve has not been opened for a period of time, its initial pressure may higher than the set opening pressure.



FRACTIONAL (英制)

| 端接 | CATALOG NUMBER | INTERCHANGE | 系列 | 尺寸, in. (mm) | | |
|---------|----------------|-------------|------|--------------|-------|---------------|
| 进口/出口尺寸 | 基本型号 | WITH | | A | B in. | C |
| 1/8 in. | 6-CV-02S-0- | SS-2C- | CV2 | 2.14 (54.3) | 5/8 | 7/16 (11.11) |
| 1/4 in. | 6-CV-04S-0- | SS-4C- | CV4 | 2.35 (59.7) | 5/8 | 9/16 (14.28) |
| 3/8 in. | 6-CV-06S-0- | SS-6C- | CV6 | 3.17 (80.5) | 7/8 | 11/16 (17.46) |
| 1/2 in. | 6-CV-08S-0- | SS-8C- | CV8 | 3.42 (86.9) | 7/8 | 7/8 (22.22) |
| 3/4 in. | 6-CV-012S-0- | SS-12C- | CV12 | 4.32 (110) | 1 1/4 | 1 1/8 (28.58) |
| 1 in. | 6-CV-016S-0- | SS-16C- | CV16 | 4.74 (120) | 1 3/8 | 1 1/2 (38.1) |

以上尺寸仅供参考，有可能改变。Dimensions are for reference only and are subject to change.

METRIC (公制)

| 端接 | CATALOG NUMBER | INTERCHANGE | 系列 | 尺寸, in. (mm) | | |
|---------|----------------|-------------|-----|--------------|-------|----|
| 进口/出口尺寸 | 基本型号 | WITH | | A | B in. | C |
| 6 mm | 6-CV-6S-0- | SS-6C-MM | CV4 | 2.36 (59.9) | 5/8 | 14 |
| 10 mm | 6-CV-10S-0- | SS-10C-MM | CV8 | 3.32 (84.3) | 7/8 | 19 |
| 12 mm | 6-CV-12S-0- | SS-12C-MM | CV8 | 3.42 (86.9) | 7/8 | 22 |

以上尺寸仅供参考，有可能改变。Dimensions are for reference only and are subject to change.

内螺纹NPT

| 端接 | CATALOG NUMBER | INTERCHANGE | 系列 | 尺寸, in. (mm) | | |
|---------|----------------|-------------|------|--------------|--------|---|
| 进口/出口尺寸 | 基本型号 | WITH | | A | B in. | C |
| 1/8 in. | 6-CV-02FN-0- | SS-2C4- | CV2 | 1.89 (48.0) | 5/8 | - |
| 1/4 in. | 6-CV-04FN-0- | SS-4C4- | CV4 | 2.15 (54.6) | 3/4 | - |
| 3/8 in. | 6-CV-06FN-0- | SS-6C4- | CV6 | 2.98 (75.7) | 7/8 | - |
| 1/2 in. | 6-CV-08FN-0- | SS-8C4- | CV8 | 3.58 (90.9) | 1 1/16 | - |
| 3/4 in. | 6-CV-012FN-0- | SS-12C4- | CV12 | 4.08 (104) | 1 1/4 | - |
| 1 in. | 6-CV-016FN-0- | SS-16C4- | CV16 | 4.84 (123) | 1 5/8 | - |

以上尺寸仅供参考，有可能改变。Dimensions are for reference only and are subject to change.

外螺纹NPT

| 端接 | CATALOG NUMBER | INTERCHANGE | 系列 | 尺寸, in. (mm) | | |
|---------|----------------|-------------|------|----------------|-------|---|
| 进口/出口尺寸 | 基本型号 | WITH | | A | B in. | C |
| 1/8 in. | 6-CV-02N-0- | SS-2C2- | CV2 | 1.71 (43.4) | 5/8 | - |
| 1/4 in. | 6-CV-04N-0- | SS-4C2- | CV4 | 2.09 (53.1) | 5/8 | - |
| 3/8 in. | 6-CV-06N-0- | SS-6C2- | CV6 | 2.78 (70.6) | 7/8 | - |
| 1/2 in. | 6-CV-08N-0- | SS-8C2- | CV8 | 3.16 (80.3) | 7/8 | - |
| 3/4 in. | 6-CV-012N-0- | SS-12C2- | CV12 | 4.08 (104) | 1 1/4 | - |
| 1 in. | 6-CV-016N-0- | SS-16C2- | CV16 | 4.52 (115) | 1 5/8 | - |

以上尺寸仅供参考，有可能改变。Dimensions are for reference only and are subject to change.

SR外螺纹接头

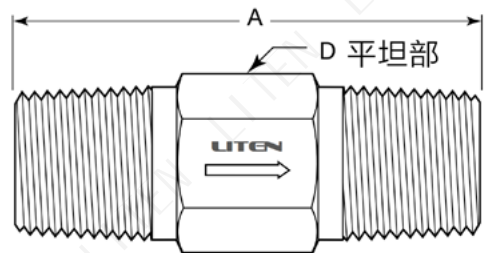
| 端接 | CATALOG NUMBER | INTERCHANGE | 系列 | 尺寸, in. (mm) | | |
|---------|----------------|-------------|------|----------------|--------|---|
| 进口/出口尺寸 | 基本型号 | WITH | | A | B in. | C |
| 1/4 in. | 6-CV-04SR-0- | SS-4C-VCR | CV4 | 2.21 (56.1) | 5/8 | - |
| 1/2 in. | 6-CV-08SR-0- | SS-8C-VCR | CV8 | 3.56 (90.4) | 1 5/16 | - |
| 3/4 in. | 6-CV-012SR-0- | SS-12C-VCR | CV12 | 4.64 (118) | 1 5/8 | - |
| 1 in. | 6-CV-016SR-0- | SS-16C-VCR | CV16 | 4.76 (121) | 1 5/8 | - |

以上尺寸仅供参考，有可能改变。Dimensions are for reference only and are subject to change.

CVP系列CVP Series

尺寸显示为LITEN卡套管接头螺母用手拧紧的尺寸仅供参考，并可变更。

Dimensions, shown with LITEN tube fitting nuts finger-tight, are for reference only and are subject to change.



内螺纹NPT

| 端接 | CATALOG NUMBER | INTERCHANGE | 系列 | 尺寸, in. (mm) | | 37° C (100° F) 下的压力额定值 psig (bar) |
|---------|----------------|-------------|------|----------------|-----|---|
| 进口/出口尺寸 | 基本型号 | WITH | | A | D | |
| 1/4 in. | 6-CVP2-04FN-0- | SS-4CPA4- | CVP4 | 2.98 (75.7) | 3/4 | 3000 (207) |

以上尺寸仅供参考，有可能改变。Dimensions are for reference only and are subject to change.

外螺纹NPT

| 端接 | CATALOG NUMBER | INTERCHANGE | 系列 | 尺寸, in. (mm) | | 37° C (100° F) 下的压力额定值 psig (bar) |
|---------|----------------|-------------|------|--------------|------|---|
| 进口/出口尺寸 | 基本型号 | WITH | | A | D | |
| 1/4 in. | 6-CVP-04N-0- | SS-4CPA2- | CVP4 | 1.62 (41.1) | 9/16 | 3000 (207) |
| 1/2 in. | 6-CVP-08N-0- | SS-8CPA2- | CVP8 | 2.56 (65.0) | 7/8 | 3000 (207) |

以上尺寸仅供参考, 有可能改变。Dimensions are for reference only and are subject to change.

锥形ISO/BSP外螺纹

| 端接 | CATALOG NUMBER | INTERCHANGE | 系列 | 尺寸, in. (mm) | | 37° C (100° F) 下的压力额定值 psig (bar) |
|---------|----------------|--------------|------|--------------|------|---|
| 进口/出口尺寸 | 基本型号 | WITH | | A | D | |
| 1/4 in. | 6-CVP-04R-0- | SS-4CPA2-RT- | CVP4 | 1.62 (41.1) | 9/16 | 3000 (207) |
| 1/2 in. | 6-CVP-08R-0- | SS-8CPA2-RT- | CVP8 | 2.56 (65.0) | 7/8 | 3000 (207) |

以上尺寸仅供参考, 有可能改变。Dimensions are for reference only and are subject to change.

订购信息Ordering Information

基本订购号指定不锈钢材料。要订购黄铜材料的阀时, 在基本订购号中用 B 取代 6。示例: B-CV2-

Basic ordering numbers specify stainless steel material. To order brass, replace 6 with B in the basic ordering number. Example: B-CV2-

CV系列CVP Series

要订购时, 在基本订购号上添加一开启压力代号。

To order, add a cracking pressure designator to the basic ordering number.

| 开启压力psi (bar) | 代号 |
|---------------|-----|
| 1/3 (0.03) | 1/3 |
| 1 (0.07) | 1 |
| 10 (0.69) | 10 |
| 25 (1.8) | 25 |

⚠ 单向阀的设计仅供单向流动控制用。LITEN单向阀不得用作安全卸荷装置。Check valves are designed for directional flow control only. LITEN check valves should never be used as code safety relief devices.

CH系列CH Series

⚠ 当阀门有一段未被开启, 其初始压力可能要高于设定的开启压力。

For valves not actuated for a period of time, initial cracking pressure may be higher than the set cracking pressure.

FRACTIONAL (英制)

| 端接 | CATALOG NUMBER | INTERCHANGE | 系列 | 尺寸, in. (mm) | | | 37° C (100° F) 下的压力额定值 psig (bar) |
|---------|----------------|-------------|------|--------------|-------|---------------|---|
| 进口/出口尺寸 | 基本型号 | WITH | | A | B in. | C | |
| 1/8 in. | 6-CH-02S-0- | CHS2- | CH4 | 2.27 (57.7) | 11/16 | 7/16 (11.11) | 6000 (413) |
| 1/4 in. | 6-CH-04S-0- | CHS4- | CH4 | 2.43 (61.7) | 11/16 | 9/16 (14.28) | 6000 (413) |
| 3/8 in. | 6-CH-06S-0- | CHS6- | CH8 | 2.75 (69.9) | 1 | 11/16 (17.46) | 6000 (413) |
| 1/2 in. | 6-CH-08S-0- | CHS8- | CH8 | 2.96 (75.2) | 1 | 7/8 (22.22) | 6000 (413) |
| 3/4 in. | 6-CH-012S-0- | CHS12- | CH16 | 3.52 (89.4) | 15/8 | 1 1/8 (28.58) | 5000 (344) |
| 1 in. | 6-CH-016S-0- | CHS16- | CH16 | 3.88 (98.6) | 15/8 | 1 1/2 (38.1) | 4700 (323) |

以上尺寸仅供参考, 有可能改变。Dimensions are for reference only and are subject to change.

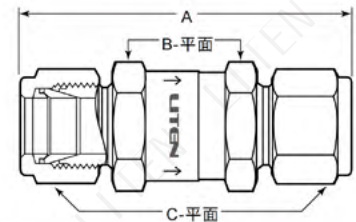
CVP系列CVP Series

要订购时, 在基本订购号上添加一开启压力代号。

To order, add a cracking pressure range designator to the basic ordering number.

| 开启压力psi (bar) | 代号 |
|-------------------------|-----|
| 3 至 50 (0.21 至 3.5) | 3 |
| 50 至 150 (3.5 至 10.4) | 50 |
| 150 至 350 (10.4 至 24.2) | 150 |
| 350 至 600 (24.2 至 41.4) | 350 |

示例: 6-CV2-04S-0-1 Example: 6-CV2-04S-0-1



内螺纹NPT

| 端接 | CATALOG NUMBER | INTERCHANGE | 系列 | 尺寸, in. (mm) | | | 37° C (100° F) 下的压力额定值 psig (bar) |
|---------|----------------|-------------|-------|----------------|-------|---|---|
| 进口/出口尺寸 | 基本型号 | WITH | | A | B in. | C | |
| 1/4 in. | 6-CH-04FN-0- | CHF4- | CVH4 | 2.13 (54.1) | 11/16 | - | 6000 (413) |
| 3/8 in. | 6-CH-06FN-0- | CHF6- | CVH8 | 2.55 (64.8) | 1 | - | 5300 (365) |
| 1/2 in. | 6-CH-08FN-0- | CHF8- | CVH8 | 3.03 (77.0) | 11/16 | - | 4900 (337) |
| 3/4 in. | 6-CH-012FN-0- | CHF12- | CVH16 | 3.23 (82.0) | 15/8 | - | 4600 (316) |
| 1 in. | 6-CH-016FN-0- | CHF16- | CVH16 | 3.83 (97.3) | 15/8 | - | 4400 (303) |

以上尺寸仅供参考, 有可能改变。Dimensions are for reference only and are subject to change.

外螺纹NPT

| 端接 | CATALOG NUMBER | INTERCHANGE | 系列 | 尺寸, in. (mm) | | | 37° C (100° F) 下的压力额定值 psig (bar) |
|---------|----------------|-------------|-------|----------------|-------|---|---|
| 进口/出口尺寸 | 基本型号 | WITH | | A | B in. | C | |
| 1/8 in. | 6-CH-02N-0- | CHM2- | CVH4 | 1.79 (45.5) | 11/16 | - | 6000 (413) |
| 1/4 in. | 6-CH-04N-0- | CHM4- | CVH4 | 2.17 (55.1) | 11/16 | - | 6000 (413) |
| 3/8 in. | 6-CH-06N-0- | CHM6- | CVH8 | 2.36 (59.9) | 1 | - | 6000 (413) |
| 1/2 in. | 6-CH-08N-0- | CHM8- | CVH8 | 2.73 (69.3) | 1 | - | 6000 (413) |
| 3/4 in. | 6-CH-012N-0- | CHM12- | CVH16 | 3.29 (83.6) | 15/8 | - | 5000 (344) |
| 1 in. | 6-CH-016N-0- | CHM16- | CVH16 | 3.67 (93.2) | 15/8 | - | 5000 (344) |

以上尺寸仅供参考, 有可能改变。Dimensions are for reference only and are subject to change.

锥形ISO/BSP内螺纹

| 端接 | CATALOG NUMBER | INTERCHANGE | 系列 | 尺寸, in. (mm) | | | 37° C (100° F) 下的压力额定值 psig (bar) |
|---------|----------------|-------------|-------|----------------|-------|---|---|
| 进口/出口尺寸 | 基本型号 | WITH | | A | B in. | C | |
| 1/4 in. | 6-CH-04FR-0- | CHF4RT- | CVH4 | 2.28 (57.9) | 11/16 | - | 6000 (413) |
| 1/2 in. | 6-CH-08FR-0- | CHF8RT- | CVH8 | 2.73 (69.3) | 11/16 | - | 5100 (351) |
| 3/4 in. | 6-CH-012FR-0- | CHF12RT- | CVH16 | 3.29 (83.6) | 15/8 | - | 4800 (330) |
| 1 in. | 6-CH-016FR-0- | CHF16RT- | CVH16 | 3.67 (93.2) | 15/8 | - | 4400 (303) |

以上尺寸仅供参考, 有可能改变。Dimensions are for reference only and are subject to change.

锥形ISO/BSP外螺纹

| 端接 | CATALOG NUMBER | INTERCHANGE | 系列 | 尺寸, in. (mm) | | | 37° C (100° F) 下的压力额定值 psig (bar) |
|---------|----------------|-------------|-------|----------------|-------|---|---|
| 进口/出口尺寸 | 基本型号 | WITH | | A | B in. | C | |
| 1/4 in. | 6-CH-04R-0- | CHM4RT- | CVH4 | 2.17 (55.1) | 11/16 | - | 6000 (413) |
| 1/2 in. | 6-CH-08R-0- | CHM8RT- | CVH8 | 2.73 (69.3) | 1 | - | 6000 (413) |
| 3/4 in. | 6-CH-012R-0- | CHM12RT- | CVH16 | 3.29 (83.6) | 15/8 | - | 5000 (344) |
| 1 in. | 6-CH-016R-0- | CHM16RT- | CVH16 | 3.67 (93.2) | 15/8 | - | 5000 (344) |

以上尺寸仅供参考, 有可能改变。Dimensions are for reference only and are subject to change.

选购件和附件 Options and Accessories

密封材料 (所有系列) Seal Materials (All Series)

316 不锈钢阀中,碳氟 FKM O形圈是标准的,黄铜阀中,丁腈橡胶O形圈是标准的。可供应其它弹性体密封件(提动头粘结材料和 O 形圈)。要订购时,在阀订购号中插入密封材料代号。

Fluorocarbon FKM O-rings are standard in 316 stainless steel valves; Buna N O-rings are standard in brass valves. Other elastomer seals (poppet bonding material and O-ring) are available. To order, insert the seal material designator into the valve ordering number.

| 密封材料 | 代号 | 温度额定值(° C ° F) |
|--------|-----|----------------------|
| 丁纳橡胶 N | -BU | -23 至 121(-10 至 250) |
| 乙烯丙烯 | -EP | -45 至 148(-50 至 300) |
| 碳氟 FKM | -VI | -23 至 190(-10 至 375) |
| 氟丁橡胶 | -NE | -40 至 121(-40 至 250) |

① CVH 系列为 -23 至 204 ° C (10 至 400 ° F)。

示例: B-CV2-VI-1/3 可供应其它密封材料。

详情请与您当地授权的LITEN公司销售服务代表联系。

① -10 到 400° F (-23 到 204° C) for CH series.

Example: B-CV2-VI-1/3

Additional seal materials are available. Contact your authorized LITEN representative for details.

特种合金 (所有系列) Special Alloys (All Series)

某些口径的阀中可装用合金400或合金C-276合金制的弹簧。某些口径的阀,可提供合金400,碳钢,铝,或其它合金制成的阀体。详情请与您当地授权的LITEN销售服务代表联系。

Springs of alloy 400 or alloy C-276 are available in some sizes. Valve bodies of alloy 400, carbon steel, aluminum, or other alloys are available in some sizes. Contact your authorized LITEN representative for more information.

涂 PTFE 弹簧 (CV和CVP 系列) PTFE-Coated Springs (CV, and CVP Series)

某些口径的阀中可装用带有PTFE涂层的弹簧。详情请与您当地授权的LITEN销售服务代表联系。CV2、CV4、CV6和CV8系列阀门可提供带PTFE涂层的316不锈钢入口垫圈,用于降低压力波动、振动或脉动导致系统内O型圈移动的可能性。垫圈是选定阀门的标准配置;参见下列表格了解详情。

Springs with PTFE coating are available in some sizes. Contact your authorized LITEN representative for more information.

PTFE-coated 316 stainless steel inlet gaskets are available for CV2, CV4, CV6, and CV8 series valves to reduce the possibility of dislodging the O-ring in systems where pressure surges, shock, or pulses occur. Gaskets are standard for select valves; see the table below for details.

入口垫圈 (CV2, CV4, CV6 和 CV8 系列) Inlet Gaskets (CV2, CV4, CV6, and CV8 Series)

| 开启压力 psig(bar) | 入口垫圈 | | |
|-------------------|-----------|-----------|-------------|
| | CV2、CV4系列 | CV6、CV8系列 | CV12、CV16系列 |
| < 50 (3.5) | 可选 | 可选 | 标准 |
| > 50 (3.5) | 可选 | 标准 | 标准 |

订购非标准入口垫圈时,将 -FG 插入阀门订购号中

示例: 6-CV4-FG-1

To order an inlet gasket, if it is not standard, insert -FG into the valve ordering number.

Example: 6-CV4-FG-1

通风帽 (CV4, CV8和CVP系列) Deflector Caps (CV4, CV8, and CVP Series)

对带有外螺纹 NPT 端接的 CV4, CV8和CVP 系列阀可安装一个聚乙烯通风帽。这种通风帽能够改变流体方向从而避免其与操作人员直接接触,还能防止大气污染物进入阀中。帽盖螺纹能很容易地旋在阀的外螺纹 NPT 出口端。在 37° C 时的最大额定压力为 20.6 bar(即 100° F时 300 psig)。



A polyethylene deflector cap is available for CV4, CV8, and CVP series valves with male NPT end connections. The deflector cap deflects flow from direct contact with personnel and prevents atmospheric contaminants from entering the valve. The deflector cap screws easily onto the male NPT outlet end of the valve. Maximum rating is 300 psig at 100° F (20.6 bar at 37° C).

订购时,需要绿色帽盖的在订购号中插入 -DG,需

要红色帽盖的在订购号中插入 -DR。

示例: 6-CVP2-04N-DG

To order, insert -DG for a green cap or -DR for a red cap into the ordering number.

Example: 6-CVP2-04N-DG