

R61 Series High-Flow Piston Pressure Regulator

FEATURES

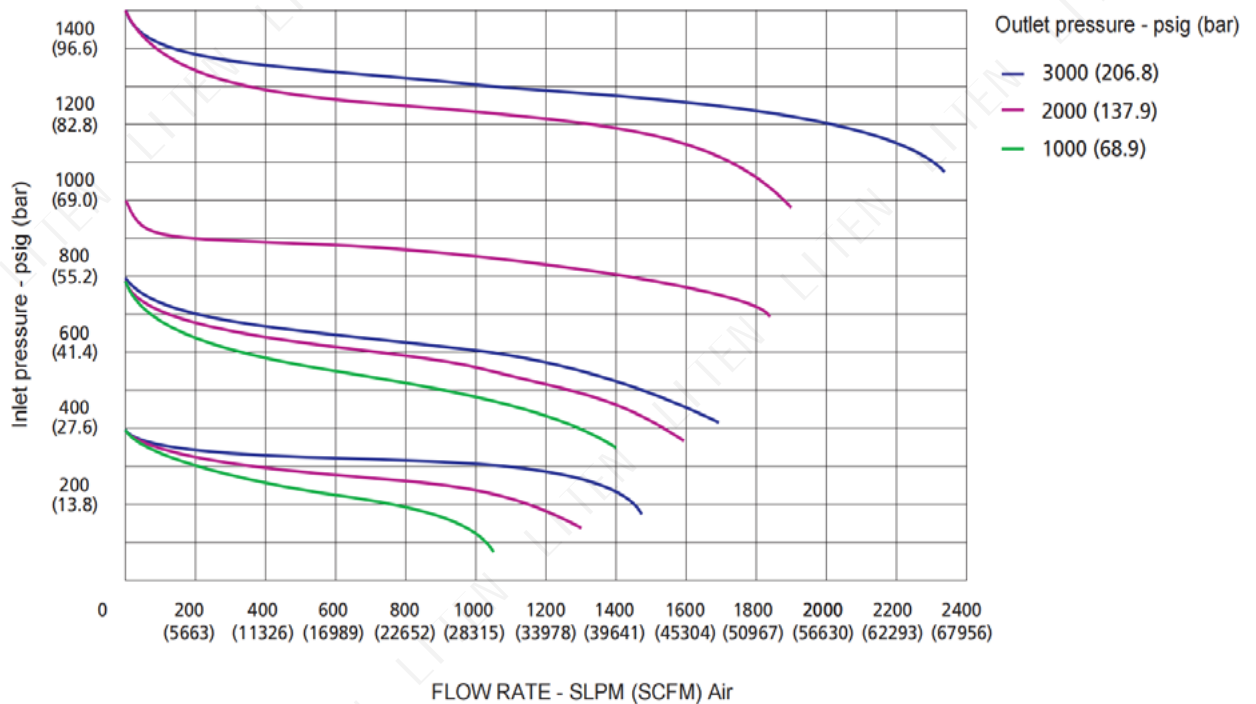
- Suitable for high-flow applications
- Piston-sensed design offers an extended outlet pressure adjustment range
- Large piston diameter enhances pressure sensitivity
- Special cleaning and packaging processes suitable for oxygen-rich environments

TECHNICAL DATA

- Maximum Inlet Pressure:
 - Stainless Steel: 4500 psig
 - Brass: 3750 psig
- Outlet Pressure Ranges: 0~300, 0~600, 0~1000, 0~1500 psig
- Internal Component Materials:
 - Valve Body: 316 Stainless Steel or Brass
 - Valve Seat: PCTFE
 - Piston: 316L
 - O-Rings: Viton or Kalrez
- Operating Temperature: -26°C to +104°C (-15°F to +220°F)
- Leak Rates:
 - Internal Leakage: No visible bubbles
 - External Leakage: No visible bubbles
- Flow Coefficient (Cv): 2.0
- Weight (Regulator Only): ≈2.83 Kg (6.25 lbs)
- Body Ports: Inlet, Outlet - 1/2" NPT female threads
 - Pressure Gauge Port - 1/4" NPT female threads



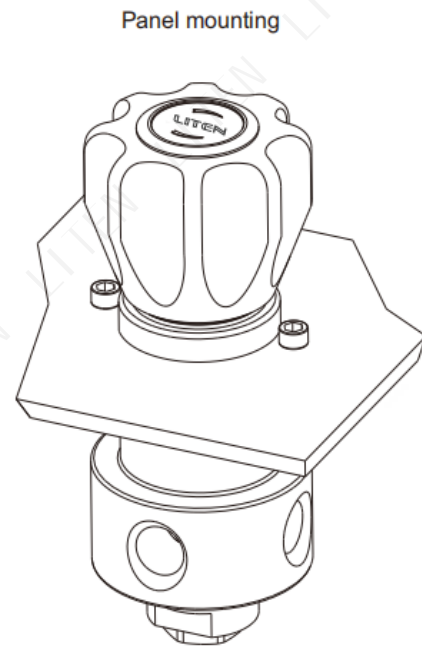
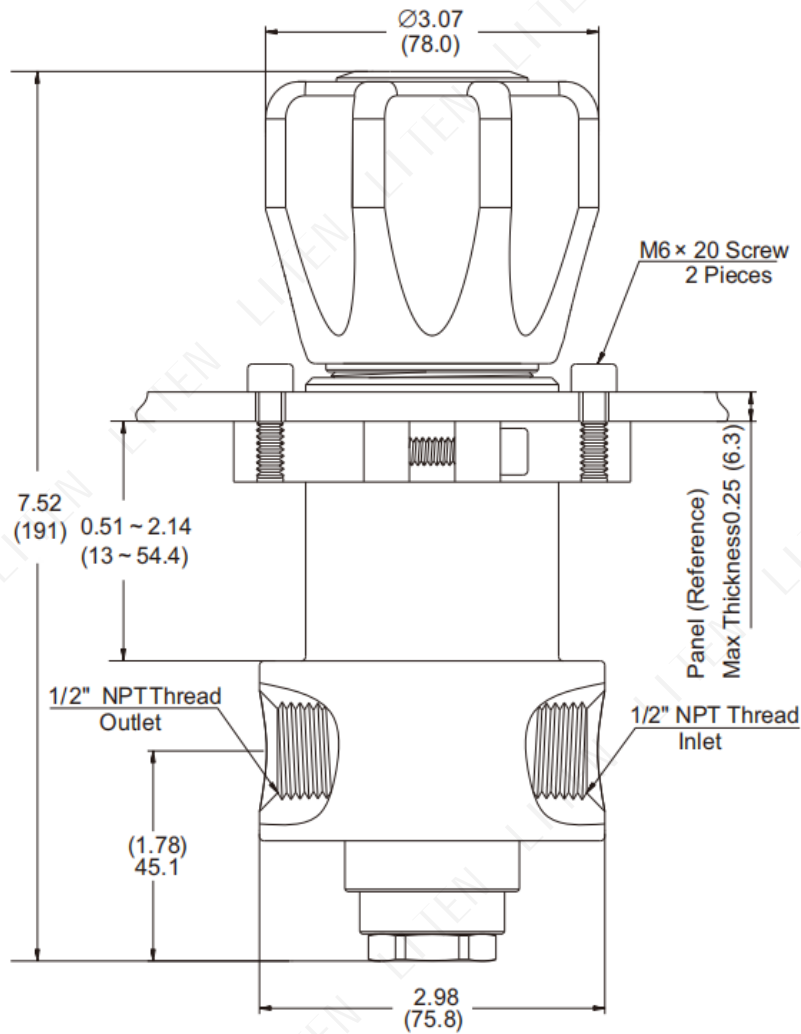
FLOW DATA



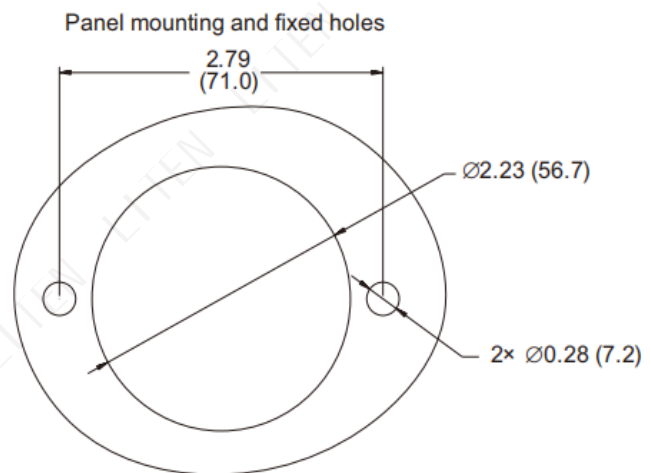
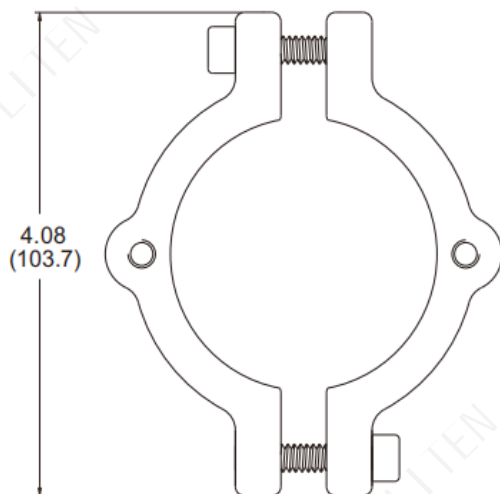
R61 Series High-Flow Piston Pressure Regulator

DIMENSION

Dimensions, in inches (millimeters), are for reference only.



Panel Mount Kits



R61 Series High-Flow Piston Pressure Regulator

CLEANING TECHNICS

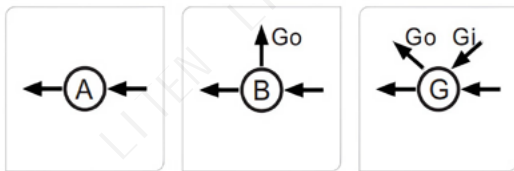
Standard(WK-BA)

The welded fittings are cleaned in accordance with our standard cleaning and packaging specifications. No suffixes need to be added when ordering.

Oxygen Cleaning(WK-O2)

Specifications for cleaning and packaging of products for oxygen environments are available. This meets ASTM G93 Class C cleanliness requirements. When ordering, add -O2 to the end of the order number.

PORT CONFIGURATIONS



For more or additional port options, please consult LITEN.

ORDERING INFORMATION

Series	Body Material	Body Port	Inlet Pressure	Outlet Pressure	Pressure Guages	Inlet Connection	Outlet Connection	Self Venting	Optional Accessories
R61	L	M	-T	H	G	-00	-00	-V	-F
R61	L:316L B: Brass	A B G	T:4500psi S:3750psi	H:0~1500psi I: 0~1000psi K:0~600psi L:0~300psi	G: MPa P: psi/bar W: None	04: 1/2"NPT(F) 05: 3/4"NPT(F) 06: 3/4"OD 16: 16mm OD 18: 18mm OD More...	04: 1/2"NPT(F) 05: 3/4"NPT(F) 06: 3/4"OD 16: 16mm OD 18: 18mm OD More...	V: Self Venting None	F: Panel Mounting None

Note: For more model selections, please contact LITEN.

OPTIONAL ACCESSORIES



Ball Valve

Needle Valve

Safety Valve

Pressure Gauge

Cylinder Adapter

Connectors

Fixed Panel