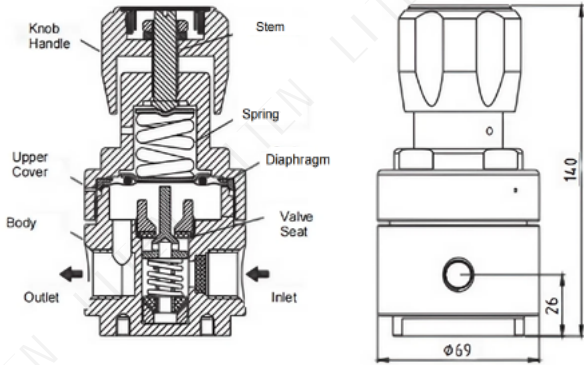


R22 Series Medium Flow Pressure Regulators

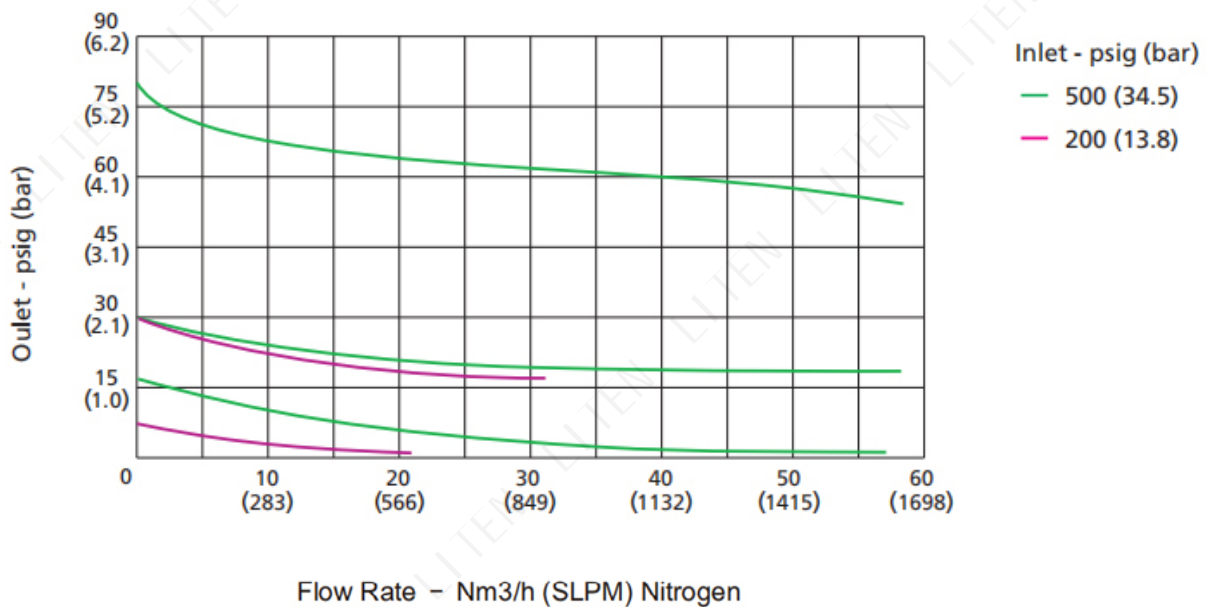
FEATURES

- Single-stage diaphragm structure
- Corrugated diaphragm design for excellent sensitivity and cycle life
- Purity up to 6.0, inlet pressure 0~3000 psi, outlet pressure 0~250 psi;
- Suitable for inert, corrosive, toxic, flammable, and combustible gases.



- Valve seat material: PCTFE, PTFE
- Diaphragm material: SS316L, Hastelloy
- Female thread: 1/2"NPT(F)
- Leakage rate: 2×10^{-8} atm.cc/sec He
- Cv value: 1.0
- Valve body weight: 1.6kg
- Applicable temperature: -40 °C to +74 °C
- Safety pressure: 1.5 times the maximum input pressure

FLOW DATA



R22 Series Medium Flow Pressure Regulators

CLEANING TECHNICS

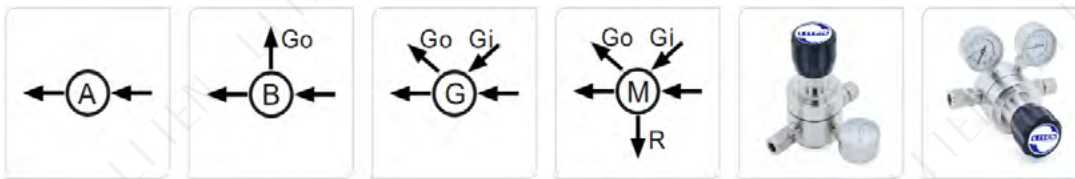
Standard(WK-BA)

The welded fittings are cleaned in accordance with our standard cleaning and packaging specifications. No suffixes need to be added when ordering.

Oxygen Cleaning(WK-O2)

Specifications for cleaning and packaging of products for oxygen environments are available. This meets ASTM G93 Class C cleanliness requirements. When ordering, add -O2 to the end of the order number.

PORT CONFIGURATIONS



R22LB

R22LG

For more or additional port options, please consult LITEN.

ORDERING INFORMATION

Series	Body Material	Body Port	Inlet Pressure	Outlet Pressure	Pressure Guages	Inlet Connection	Outlet Connection	Optional Accessories
R22	L	A	-R	F	G	-00	-00	-R
R22	L:316L B: Brass	A B G M	R:3000psi K:500psi	F:0~250psi C:0~100psi B:0~50psi A:0~25psi	G:MPa P:psi/bar W: No Gauges	04:1/2"NPT(F) 05:1/2"NPT(M) 12:3/8"OD 13:1/2"OD More...	04:1/2"NPT(F) 05:1/2"NPT(M) 12:3/8"OD 13:1/2"OD More...	R: Safety valve P: Center-mounted F: Fixed panel None

Note: For more model selections, please contact LITEN.

OPTIONAL ACCESSORIES



Safety Valve

Pressure Gauge

Connectors

Fixed Panel