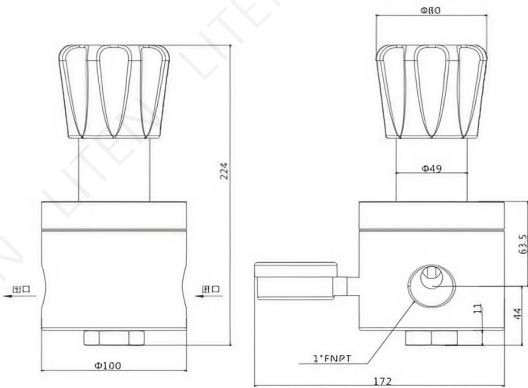


R66 Series High Flow Pressure Regulators

The R66 series stainless steel pressure regulator adopts large-area diaphragms, providing precise output pressure and high flow. It is suitable for gas cleaning and low-pressure tank applications.

FEATURES:

- Low pressure drop
- Precise adjustment with a wide range of output pressure options
- Panel mounting and wall mounting available
- Suitable for various loads

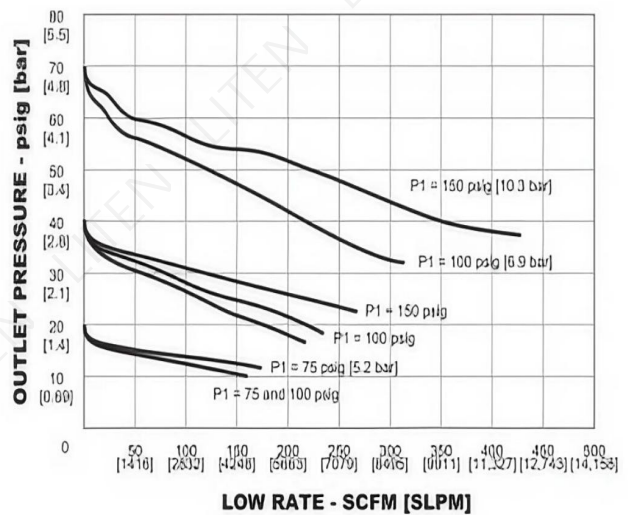
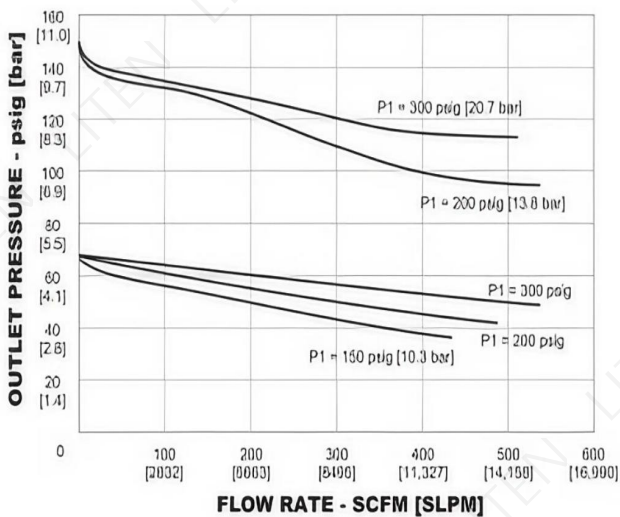


SPECIFICATION:

- Max. Inlet pressure: 500Psig
- Max. Outlet pressure: 0~50; 0~150; 0~250 Psig
- Connection: 1"NPT
- Working Temperature: -40°C ~ 74°C
- Cv value: 5.0

- Material:
 - Valve Body Material: 316 Stainless Steel
 - Valve Core Material: 316 Stainless Steel
 - Valve Seat Material: Polyetheretherketone (PEEK) or Polychlorotrifluoroethylene (PCTFE)

FLOW DATA



R66 Series High Flow Pressure Regulators

CLEANING TECHNICS

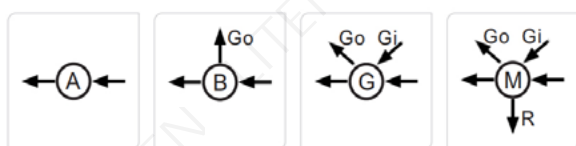
Standard(WK-BA)

The welded fittings are cleaned in accordance with our standard cleaning and packaging specifications. No suffixes need to be added when ordering.

Oxygen Cleaning(WK-O2)

Specifications for cleaning and packaging of products for oxygen environments are available. This meets ASTM G93 Class C cleanliness requirements. When ordering, add -O2 to the end of the order number.

PORT CONFIGURATIONS



ORDERING INFORMATION

Series	Body Material	Body Port	Inlet Pressure	Outlet Pressure	Pressure Gauges	Inlet Connection	Outlet Connection	Optional Accessories
R23	L	A	-K	D	G	-00	-00	-R
R23	L:316L	A B G M	K:500psi	E:0~250psi D:0~150psi C:0~100psi B:0~50psi	G:MPa P: psi/bar W: No Gauges	01:1"NPT(M) 02:1"NPT(F) 03:1"OD More.....	01:1"NPT(M) 02:1"NPT(F) 03:1"OD More.....	R: Safety valve P: Center-mounted F: Fixed panel None

Note: For more model selections, please contact LITEN.

OPTIONAL ACCESSORIES

