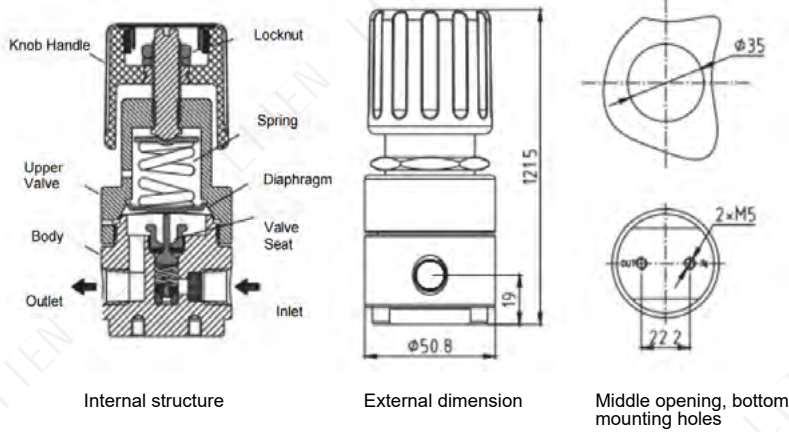


R21 Series Low-Flow Pressure Regulators

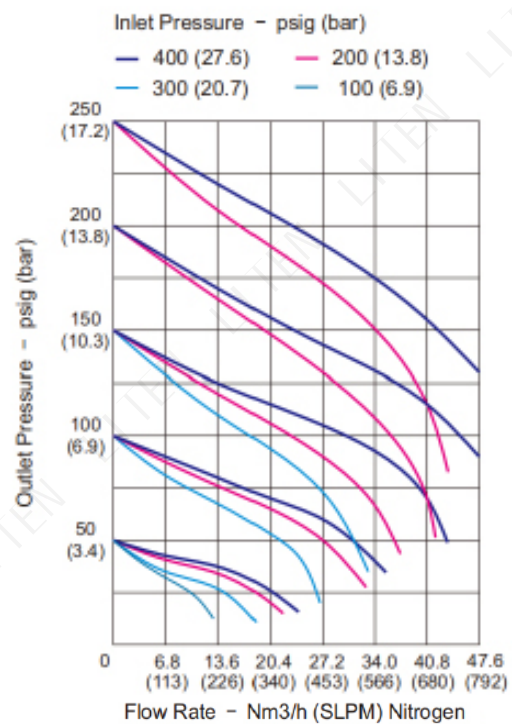
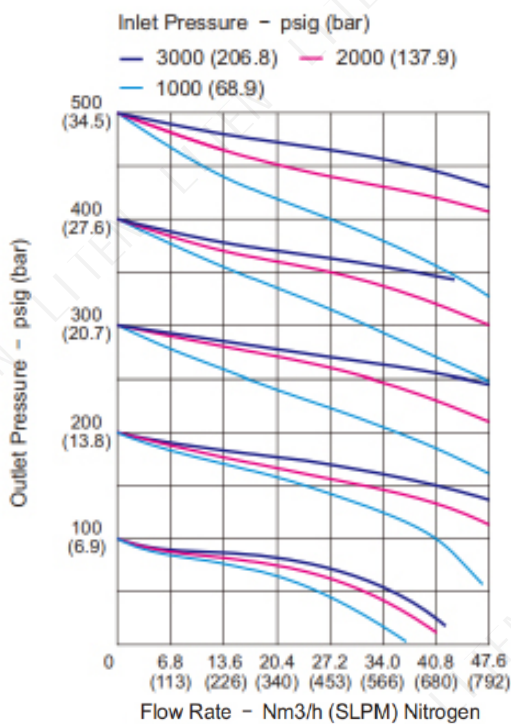
FEATURES

- Single-stage diaphragm structure
- Corrugated diaphragm design for excellent sensitivity and cycle life
- Purity up to 6.0, inlet pressure 0~3500 psi, outlet pressure 0~500 psi;
- Suitable for inert, corrosive, toxic, flammable, and combustible gases.



- Valve seat material: PCTFE, PTFE
- Diaphragm material: SS316L, Hastelloy
- Female thread: 1/4" NPT(F)
- Leakage rate: 2×10^{-8} atm.cc/sec He
- Cv value: 0.12
- Valve body weight: 0.9kg
- Applicable temperature: -40 °C to +74 °C
- Safety pressure: 1.5 times the maximum input pressure

FLOW DATA



R21 Series Low-Flow Pressure Regulators

CLEANING TECHNICS

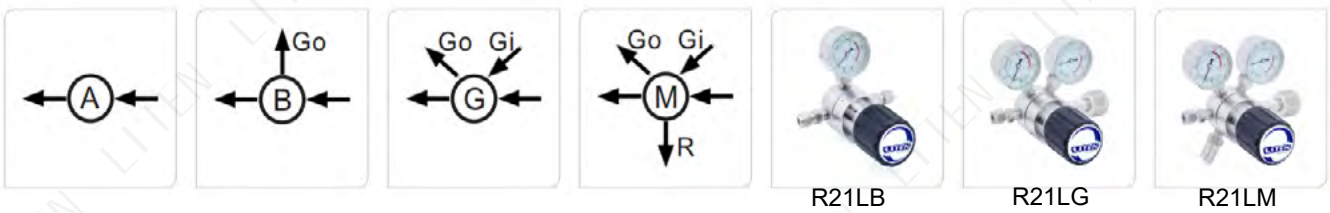
Standard(WK-BA)

The welded fittings are cleaned in accordance with our standard cleaning and packaging specifications. No suffixes need to be added when ordering.

Oxygen Cleaning(WK-O2)

Specifications for cleaning and packaging of products for oxygen environments are available. This meets ASTM G93 Class C cleanliness requirements. When ordering, add -O2 to the end of the order number.

PORT CONFIGURATIONS



For more or additional port options, please consult LITEN.

ORDERING INFORMATION

Series	Body Material	Body Port	Inlet Pressure	Outlet Pressure	Pressure Guages	Inlet Connection	Outlet Connection	Optional Accessories
R21	L	A	-R	K	G	-00	-00	-B
R21	L:316L B: Brass	A B G M J Q	R:3000psi K:500psi	K:0~500psi F:0~250psi C:0~100psi B:0~50psi A:0~25psi	G:MPa P:psi/bar W: No Gauges	01:1/4"NPT(F) C330:CGA330 C580:CGA580 52:G5/8"-RH(F) 64:W21.8-14LH(F) More...	01:1/4"NPT(F) C330:CGA330 C580:CGA580 52:G5/8"-RH(F) 64:W21.8-14LH(F) More...	B: Ball valve N: Needle valve R: Safety valve P: Center-mounted F: Fixed panel None

Note: For more model selections, please contact LITEN.

OPTIONAL ACCESSORIES

