

HPR10 Series High Pressure Pressure Regulator

FEATURES

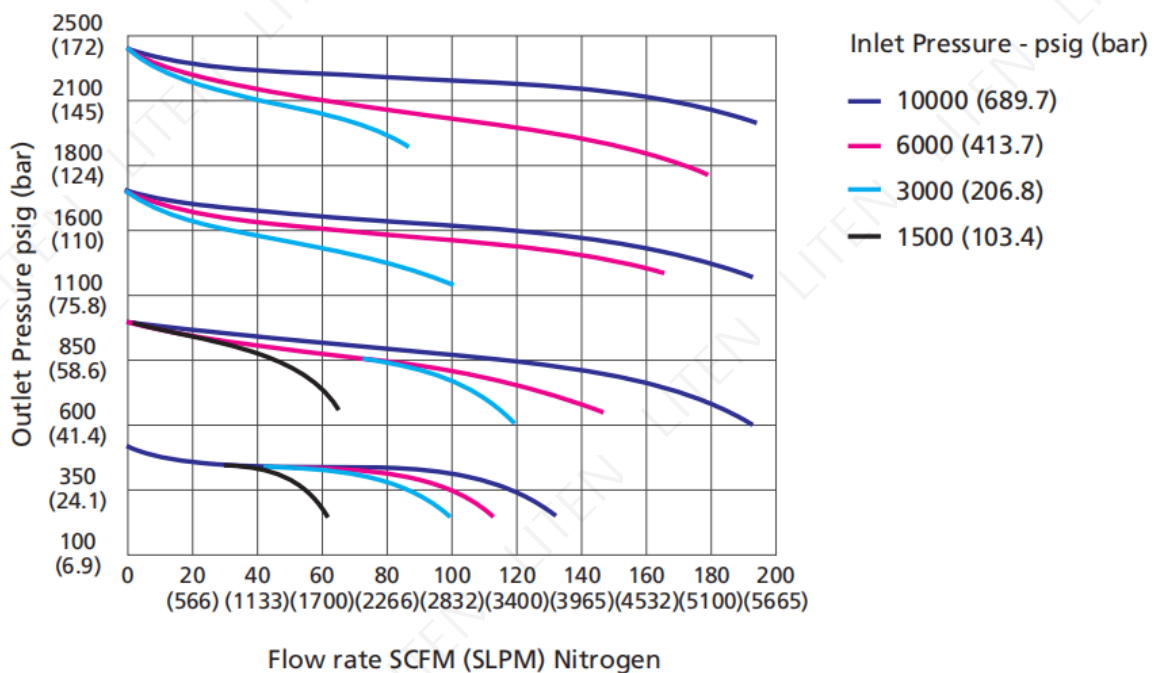
- ⦿ Maximum inlet pressure 10000 psig
- ⦿ Piston sensing design with greater outlet pressure adjustment range
- ⦿ 40 μm filter installed at inlet

TECHNICAL DATA

- ⦿ Maximum Inlet Pressure:
 - Stainless Steel: 10000 psig
 - Brass: 6000 psig
- ⦿ Outlet Pressure Ranges: 10~500, 15~800, 15~1500, 30~2500, 50~4000, 60~6000 or 200~10000psig
- ⦿ Internal Component Materials:
 - Seat: PEEK
 - Piston: 316
 - O-rings: FKM or NBR
 - Filter: 316L
- ⦿ Operating Temperature: -15 °F~165 °F (-26 °C~ 74 °C)
- ⦿ Leak Rates:
 - Internal: Bubble-tight
 - External: Bubble-tight
- ⦿ Flow Coefficient (Cv): 0.06
- ⦿ Weight (Regulator Only): ≈2.6 Kg (5.75 lbs)
- ⦿ Body Ports: Inlet, Outlet - 1/4" NPT female threads



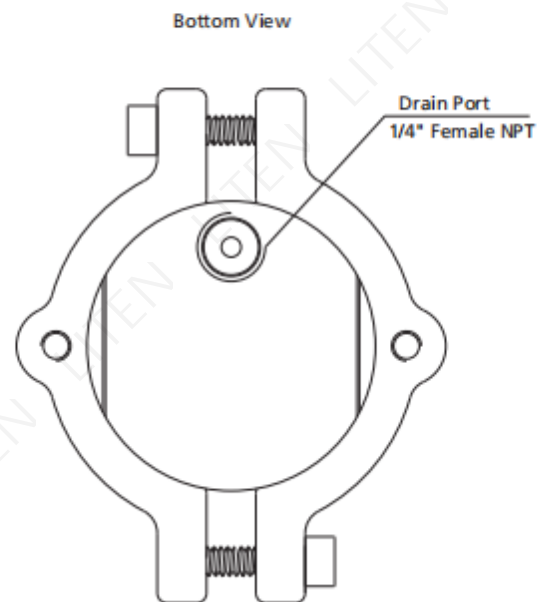
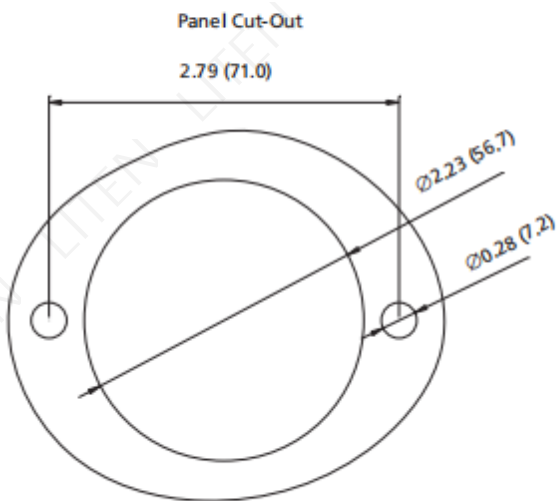
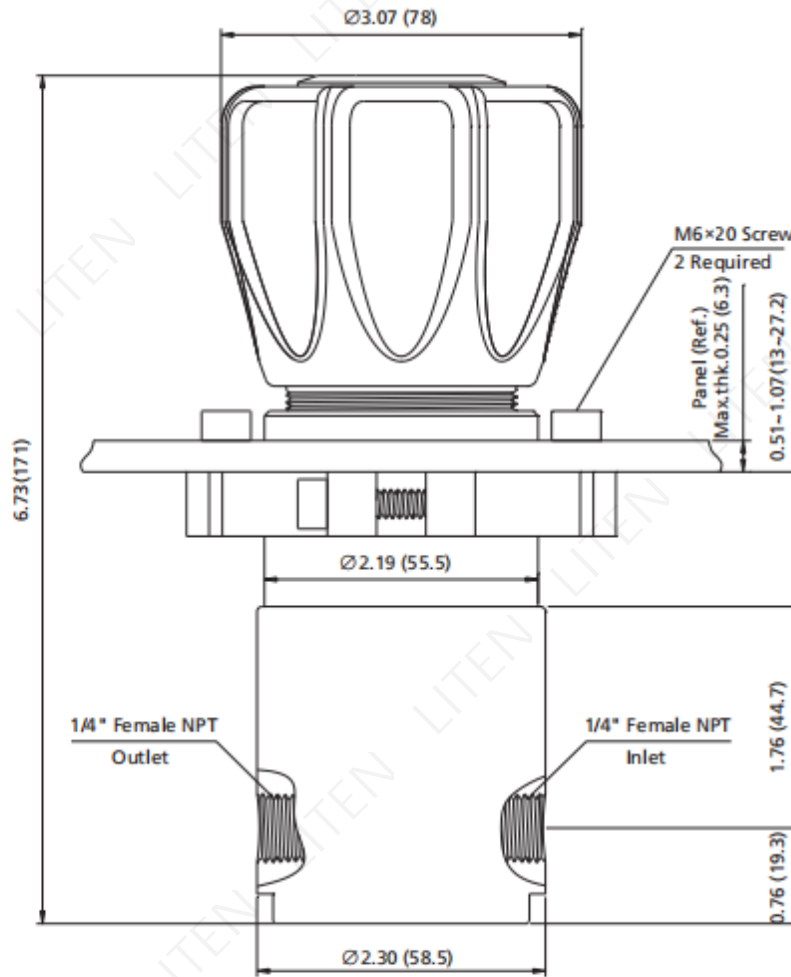
FLOW DATA



HPR10 Series High Pressure Pressure Regulator

DIMENSION

Dimensions, in inches (millimeters), are for reference only.



HPR10 Series High Pressure Pressure Regulator

CLEANING TECHNICS

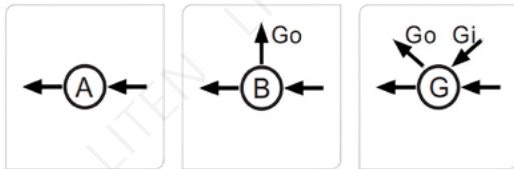
Standard(WK-BA)

The welded fittings are cleaned in accordance with our standard cleaning and packaging specifications. No suffixes need to be added when ordering.

Oxygen Cleaning(WK-O2)

Specifications for cleaning and packaging of products for oxygen environments are available. This meets ASTM G93 Class C cleanliness requirements. When ordering, add -O2 to the end of the order number.

PORT CONFIGURATIONS



For more or additional port options, please consult LITEN.

ORDERING INFORMATION

Series	Body Material	Body Port	Inlet Pressure	Outlet Pressure	Inlet Connection	Outlet Connection	Self Venting	Optional Accessories
HPR10	L	M	-T	A	-00	-00	-V	-F
HPR10	L:316L B: Brass	A B G	T: 6000psi S:10000psi	A:10~500 psi B:15~800 psi C:30~2500 psi D:15~1500 psi E:50~4000 psi F:60~6000 psi G:200~10000 psi	00: 1/4"NPT(F) 01: 1/4"NPT(M) 10:1/4"OD 11: 3/8"OD 20: 6mm OD 21: 8mm OD More...	00: 1/4"NPT(F) 01: 1/4"NPT(M) 10: 1/4"OD 11: 3/8"OD 20: 6mm OD 21: 8mm OD More...	V: Relief Valve P: Plug None	F: Panel Mounting None

Note: For more model selections, please contact LITEN.

OPTIONAL ACCESSORIES

